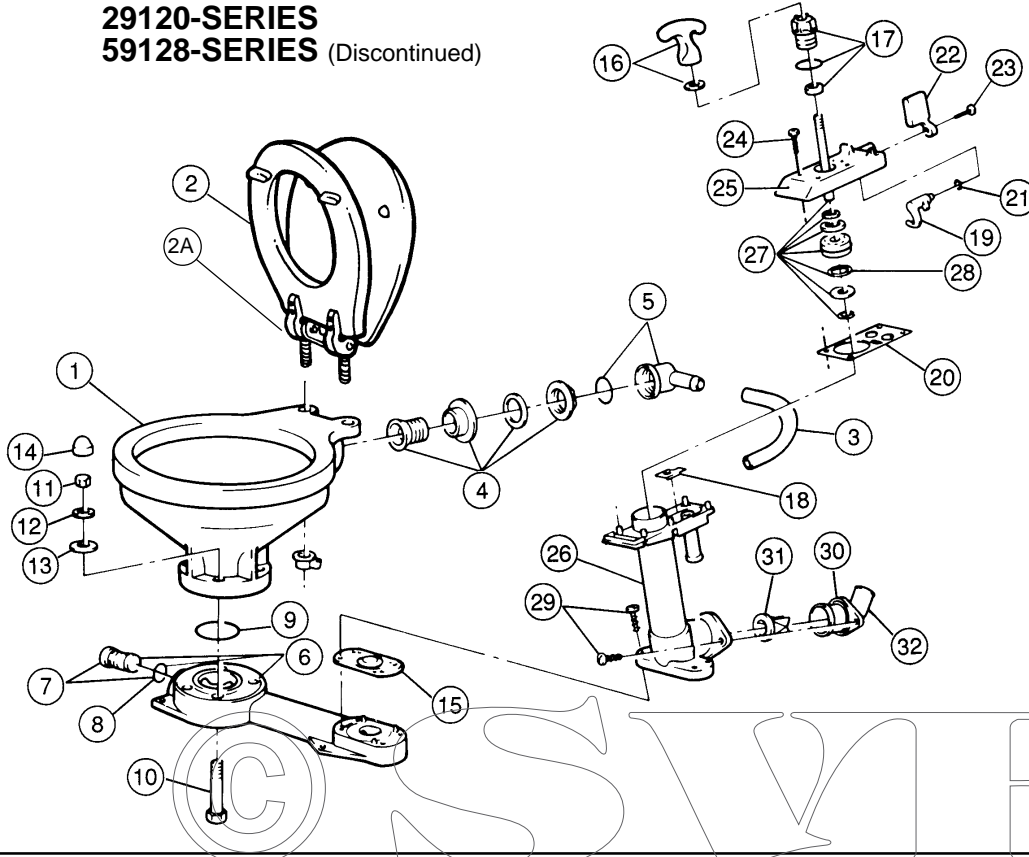


Service Kits and Parts for Toilets

**MODEL 29090-SERIES
29120-SERIES
59128-SERIES** (Discontinued)

EXPLODED VIEW



59128-SERIES
(Brydon Boy)
SERVICE PARTS

Pump assembly with discharge elbow and joker valve.
59127-7050

Service Kit.
All seals, gaskets and valves.
59300-1002

Piston Rod Seal and Piston O-Ring.
59127-7017

REPAIR KITS AVAILABLE

| KIT | PART NO. | DESCRIPTION |
|-----|------------|-------------------------|
| A | 29045-0000 | MAJOR SERVICE KIT, PUMP |
| B | 29040-1000 | PUMP ASSEMBLY |
| C | 29094-0000 | VALVE COVER ASSEMBLY |
| D | 29051-0000 | PUMP CYLINDER ASSEMBLY |
| E | 29047-0000 | BOWL INSTALLATION KIT |

PARTS LIST

| KEY | DESCRIPTION | QTY. PER TOILET | PART NO. | QTY. PER REPAIR KIT | | | | |
|-----|---------------------------|-----------------|------------|---------------------|---|---|---|---|
| | | | | A | B | C | D | E |
| 13 | WASHER (NYLON) | 4 | | | | | | 4 |
| 14 | C A P | 4 | | 2 | | | | 4 |
| 15 | BASE VALVE GASKET | 1 | 29043-0000 | 1 | 1 | | | |
| 16 | HANDLE WITH BUMPER WASHER | 1 | 29026-0000 | | 1 | 1 | | |
| 17 | SEAL ASSEMBLY | 1 | 29044-0000 | 1 | 1 | 1 | | |
| 18 | TOP VALVE SEAT | 1 | | 1 | 1 | | 1 | |
| 19 | C A M | 1 | | | | 1 | 1 | |
| 20 | TOP VALVE GASKET | 1 | 29042-0000 | 1 | 1 | | | |
| 21 | O-RING (FLUSH LEVER) | 1 | | 1 | 1 | 1 | | |
| 22 | FLUSH CONTROL LEVER | 1 | | | 1 | 1 | | |
| 23 | SCREW (FLUSH LEVER) | 1 | | 1 | 1 | 1 | | |
| 24 | SCREW (VALVE COVER) | 6 | | 1 | 6 | 6 | | |
| 25 | VALVE COVER | 1 | | | 1 | 1 | | |
| 26 | PUMP CYLINDER | | | | 1 | | 1 | |
| 27 | PISTON, ROD & O-RING ASSY | 1 | 29046-0000 | | 1 | | | |
| 28 | O-RING (PISTON) | 1 | 29017-1000 | | 1 | | | |
| 29 | SCREW (PUMP CYLINDER) | 6 | | 1 | 2 | | 2 | |
| 30 | DISCHARGE FLANGE | 1 | 29091-0000 | | 1 | | 1 | |
| 31 | JOKER VALVE | 1 | 29092-0000 | 1 | 1 | | 1 | |
| 32 | DISCHARGE ELBOW | 1 | 29029-0000 | | 1 | | 1 | |

PARTS LIST

| KEY | DESCRIPTION | QTY. PER TOILET | PART NO. | QTY. PER REPAIR KIT | | | | |
|-----|--------------------------|-----------------|------------|---------------------|---|---|---|---|
| | | | | A | B | C | D | E |
| 1 | BOWL COMPACT | 1 | 59127-7002 | | | | | |
| | LARGE | 1 | 18753-0060 | | | | | |
| 2 | SEAT, LID & HINGE SET | 1 | 18753-0437 | | | | | |
| | LARGE | 1 | 18753-0438 | | | | | |
| 2A | HINGE KIT | 1 | 18753-0181 | | | | | |
| 3 | HOSE COMPACT | 1 | 29035-0000 | | | | | |
| | LARGE | 1 | 29035-0001 | | | | | |
| 4 | BOWL SPUD | 1 | 29048-0000 | | | | | |
| 5 | INTAKE ELBOW & O-RING | 1 | | | | | | |
| 6 | BASE, PLUG & O-RING ASSY | 1 | 29041-1000 | | | | | |
| 7 | PLUG & O-RING ASSY | 1 | 29028-1000 | | | | | |
| 8 | O-RING (PLUG) | 1 | | 1 | | | | |
| 9 | O-RING (BOWL) | 1 | 44101-1000 | | | | | 1 |
| 10 | BOLT | 4 | | | | | | 4 |
| 11 | NUT | 4 | | | | | | 4 |
| 12 | WASHER (SS) | 4 | | | | | | 4 |