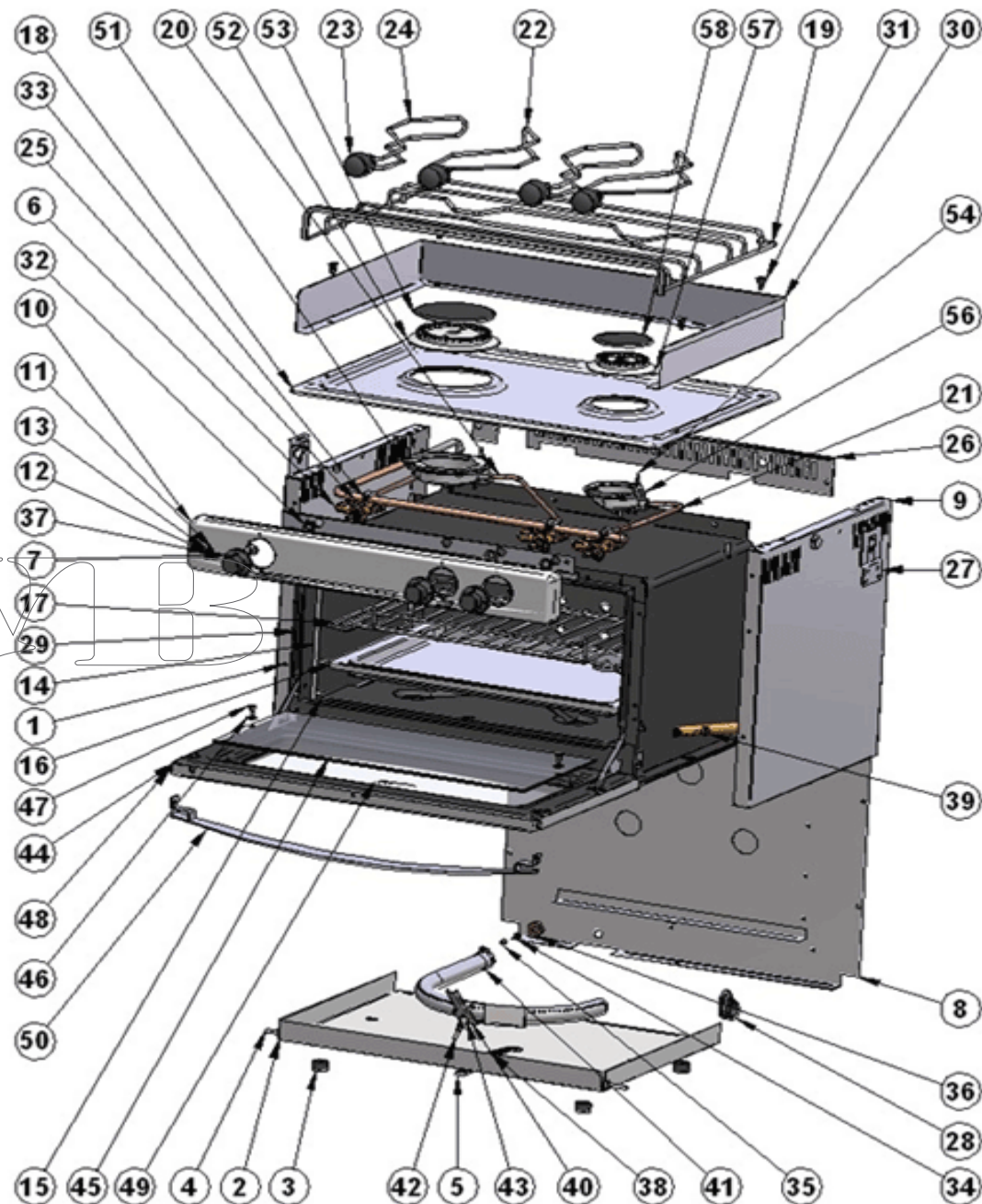


NEW OPEN SEA 142040 since 12/2006

	Reference	Designation
1	0440703060	Inner oven Enamelled
2	04407039	Oven bottom protection
3	70114	Black rubber foot
4	15207146	Stainless steel anti-rolling bar
5	71268	Protection cap for anti-rolling handle
6	72110	Safety valve
7	55035	Black Knob (6h)
8	1430412410	Oven rear plate
9	18634122	Side
10	18204137	Facia plate Gascogne 2 burners
11	04207136	Welded door locking device
12	30201	Locking cap
13	71267	Protection cap (Door locking device)
14	04205042	Oven shelf chrom. Steel
15	0440602960	Enamelled oven bottom plate
16	04200026	Dripping pan
17	04205043	Oven grid chromium plated
18	11204128	Spillage tray 2 burners
19	11203938	pan support 2 burners
20	61254	Large burner feeding pipe
21	61255	Semi rapid burner feeding pipe
22	SC02334160	Right pan holder
23	55018	Pan holder button
24	SC02334161	Left pan holder
25	18630062	Oven feeding pipe
26	14204141	Rear protection
27	00368028	Fastening wall part
28	71454	Fixing ring
29	71022	Oven door tightness seal
30	14204140	Flame protection plate
31	71571	Pan support fastening clamp
32	57023	Brass nut M 12 x 1
33	61065	Valvie fastening diam 10
34	70234	Aluminium seal 6,3 x10 x 1 mm
35	58275	Enam. Inner oven burner injector 29 mbar (69)
36	51310	Oven burner nut
37	63602	Door locking spring
38	63603	Anti-rolling spring
39	51341	Door spring
40	04200053	Stainless steel oven burner
41	83203361	Stainless steel air ring



42	70655	Thermocouple
43	51089	Thermocouple fastening nut
44	0439882360	Oven bottom plateenamelled
45	52419	Inner oven glass
46	51520	Téflon seal for glass screws
47	58841	Double glass fastening screw
48	04208121	Door frame ssteel
49	55925	Glass 4 mm (grey)
50	14304132	SSTEEL BENT HANDLE
51	59986	Large burner pot + injector (80)
52	59989	Small burner cup
53	59993	Large burner cap
54	71415	Thermocouple L 350 mm
55	71416	Thermocouple fastening clamp
56	59985	Medium burner pot
57	59988	Medium burner cup
58	59992	Medium burner cap

