

SLIDE-WAY  
1/DWR 22/2

BEARING CAP

BASE PLATE

PACKING  
OR 3181

CYLINDER  
Dis. MA 0625

PISTON  
Dis. MA 0623

STOCK ARTICULATION  
Dis. MA 0626 o MA 2273

SLIDE-WAY  
E/DWR 40/2

PACKING  
NA 150/40-30-7

CYLINDER HEAD  
Dis. MA 0627 o MA 2274

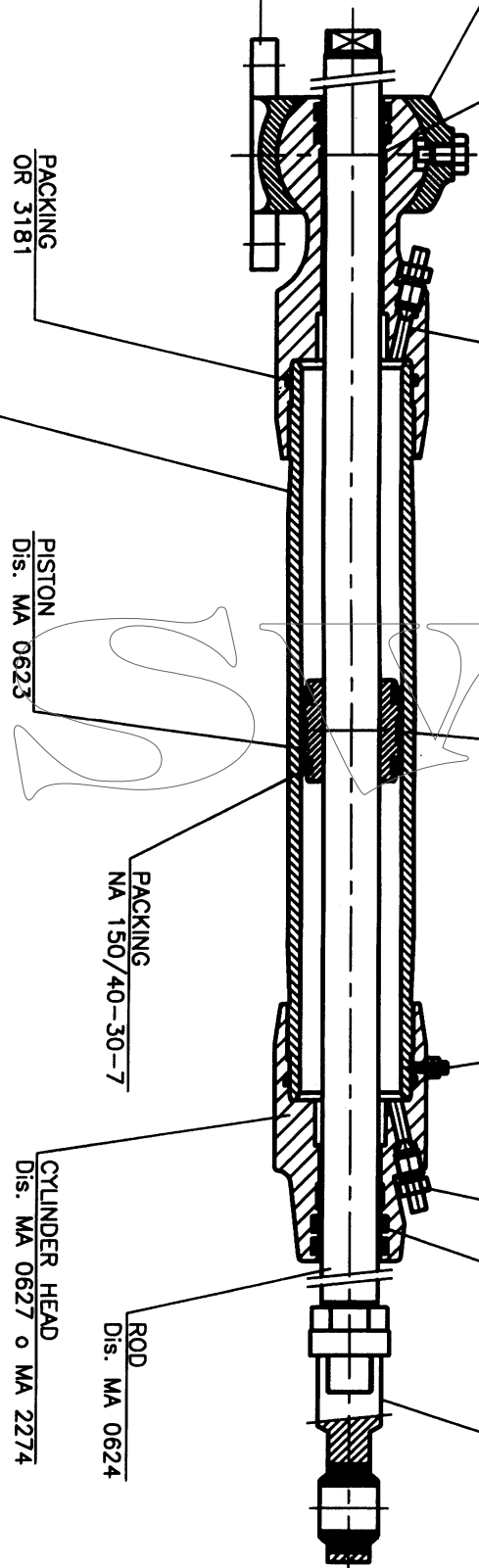
ROD  
Dis. MA 0624

BREATHER  
Dis. MA 0618

PACKING  
NI 150/22-30-5,5

BALL JOINT  
TFI 1218

NB. For the disassembly of the cylinder, first unscrew the lock nut and then the grub screw  
To reassemble, screw in the grub screw all the way, then unscrew half a turn and block with the lock nut



MATERIALE		MODIFICHE		DESCRIZIONE	
REF. ILO	QTA. ILO	DATA	DESCRIZIONE	DIS. ILO	DIS. ILO
FE50 1M KG		14.11.2005	Aggiunta gola guarnizione	otto	Zalocco E. 3
K. OMBICE		18.02.2004	Tolto raschiatore aggiorn. testate	otto	otto
FE50 1M KG		02.09.2002	Aggiunto NB.	otto	otto
FE50 1M KG				otto	otto

ESPLICAZIONE: 1:2

Hydraulic steering gear type: CL.0-22N

SPARE PARTS

Dis. MA 0625

Dis. MA 0623

Dis. MA 0626 o MA 2273

Dis. MA 0627 o MA 2274

Dis. MA 0624

Dis. MA 0618

Dis. MA 0625

Dis. MA 0623

Dis. MA 0626 o MA 2273

Dis. MA 0627 o MA 2274

Dis. MA 0624

Dis. MA 0618

Dis. MA 0625

Dis. MA 0623

Dis. MA 0626 o MA 2273

Dis. MA 0627 o MA 2274

Dis. MA 0624

Dis. MA 0618

62012 CANTANOVA MARCHE

Via N. BALLY 43

Tel. (0733-913977)

Fax (0733-913264)

Timonerie Idrauliche

Timonerie elettroidrauliche

Telecomandi

MA 1570 3

